

WINDSTER™

www.windsterhood.com

User's Manual

**UNDER CABINET SERIES
WALL MOUNT SERIES**

WS-3230SS

WS-3236SS

WS-3242SS

WS-3248SS

NOTE: PLEASE INSPECT HOOD IMMEDIATELY UPON RECEIVING. CLAIM OF DAMAGE AFTER 7 DAYS OF DELIVERY WILL BE DENIED.

This unit is designed for indoor residential use only. DO NOT USE OVER A WOOD GRILL OR MOUNT IN OUTDOOR ENVIRONMENT.



Please read this operation manual thoroughly before using your range hood. Store it in a safe location for when you need to reference it in the future.

TABLE OF CONTENTS **1**

Table of Contents

<i>Safety Information</i>	2 - 3
<i>Content Checklist</i>	4
<i>Measurements</i>	5
<i>Preparation</i>	6 - 7
<i>Installation</i>	8
<i>Operation & Features</i>	8 - 9
<i>Cleaning & Maintenance</i>	10
<i>Troubleshooting</i>	11
<i>Parts List / Replacement</i>	12
<i>Warranty / Contact Us</i>	13

SAFETY INFORMATION

"CAUTION-To reduce risk of fire, properly exhaust air according to local city building code(s).

"WARNING-To reduce the risk of fire or electric shock, do not use this fan with any solid- state speed control device.(Variable Speed Controller)

"WARNING-TO REDUCE THE RISK OF FIRE, ELECTRIC SHOCK, OR INJURY OBSERVE THE FOLLOWING:

- a) Installation work and electrical wiring must be done by qualified person(s) in accordance with all applicable codes and standards, including fire-rated construction.
- b) Sufficient air is needed for proper combustion and exhausting of gases through the flue (chimney) of fuel burning equipment to prevent back drafting, Follow the heating equipment manufacturer's guideline and safety standards such as those published by the National Fire Protection Association (NFPA), and the American Society for Heating, Refrigeration and Air Conditioning Engineers (ASHRAE), and the local code authorities.
- c) When cutting or drilling into wall or ceiling, do not damage electrical wiring and other hidden utilities.
- d) Ducted fans must always be vented to the outdoors.
- e) If this unit is to be installed over a tub or shower, it must be marked as appropriate for the application and be connected to a GFCI(Ground Fault Circuit Interrupter)-protected branch circuit.
- f) Never place a switch where it can be reached from a tub or shower.

WARNING-TO REDUCE THE RISK OF FIRE, USE ONLY METAL DUCTWORK.

"WARNING-TO REDUCE THE RISK OF INJURY TO PERSONS IN THE EVENT OF A RANGE TOP GREASE FIRE, OBSERVE THE FOLLOWING^a:

A. SMOTHER FLAMES with a close- fitting lid, cookie sheet, or metal tray, then turn off the burner.

BE CAREFUL TO PREVENT BURNS. If the flames do not go out immediately

EVACUATE AND CALL THE FIRE DEPARTMENT.

B. NEVER PICK UP A FLAMING PAN - You may be burned.

C. DO NOT USE WATER including wet dishcloths or towels - a violent steam explosion may result.

D. Use an extinguisher **ONLY if:**

1. You know you have a **Class ABC** extinguisher, and you already know how to operate it.
2. The fire is small and contained in the area where it started.
3. The fire department is being called.
4. You can fight the fire with your back to an exit.

**WARNING-TO REDUCE THE RISK OF FIRE, ELECTRIC SHOCK, OR INJURY
OBSERVE THE FOLLOWING:**

- a) Use this unit only in the manner intended by the manufacturer, if you have questions, contact the manufacturer.
- b) Before servicing or cleaning unit, switch power off at service panel and lock service disconnecting means to prevent power from being switched on accidentally. When the service disconnecting means cannot be locked, securely fasten a prominent warning device, such as a tag, to the service panel.

CAUTION-For General Ventilating Use Only. Do Not Use To Exhaust Hazardous Or Explosive Materials And Vapors.

WARNING-TO REDUCE THE RISK OF A RANGE TOP GREASE FIRE:

- a) Never leave surface units unattended at high settings. Boil overs caused by smoking and greasy spillovers that may ignite. Heat oils slowly on low or medium settings.
- b) Always turn hood ON when cooking at high heat or when flambéing food (i.e. Crepes Suzette, Cherries Jubilee, Peppercorn Beef Flambé).
- c) Clean ventilating fans frequently. Grease should not be allowed to accumulate on fan or filter.
- d) Use proper pan size. Always use cookware appropriate for the size of the surface element.

"Based on "Kitchen Firesafety Tips" published by NFPA.

CONTENT CHECKLIST**1. CONTENTS INCLUDED**

- a. (1) WS32 series(30" , 36" , 42" or 48")hood assembly
- b. (1) User's manual
- c. (1) 7" conversion collar
- d. (2) Aluminum filters with frame & (2) stainless steel filler (30")
- e. (2) Aluminum filters with frame & (2) stainless steel filler (36")
- f. (3) Aluminum filters with frame & (2) stainless steel filler (42")
- g. (3) Aluminum filters with frame & (2) stainless steel filler (48")
- h. (2) Stainless steel oil trays (30" and 36")
- I. (3) Stainless steel oil trays (42" and 48")
- j. (1) Screw packet

2. TOOLS REQUIRED (NOT INCLUDED)

- a. Safety gloves
- b. Safety glasses
- c. Electric drill w/ starter bit
- d. Utility knife
- e. Philips screwdriver
- f. Spirit level
- g. Measuring tape
- h. Writing instrument (pen, marker, pencil)
- I. Aluminum tape

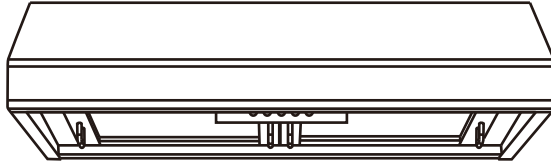


Fig.1a

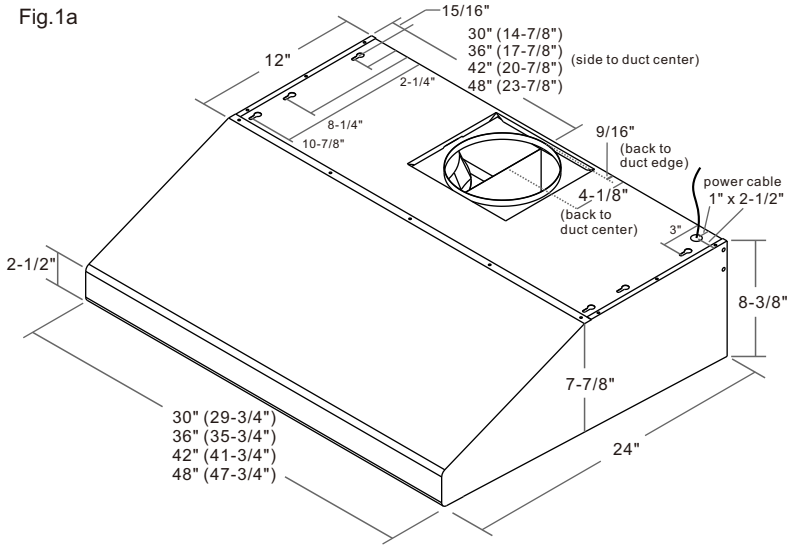
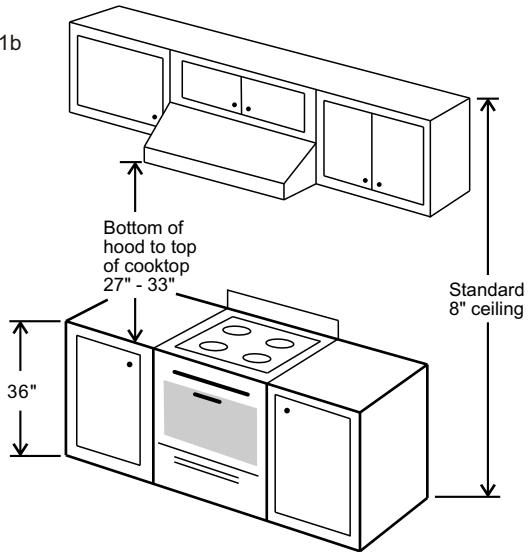


Fig.1b



6

PREPARATION

PREPARATION

1. BEFORE YOU START

****DO NOT INSTALL IF DAMAGED****

****RETURN OR EXCHANGE WILL BE DENIED IF INSTALLED****

- a. Be sure you have all the content of your purchase and required tools for this installation.
- b. Installation may take up to 1 to 2 hours from start to finish.
- c. Plan to use as few elbows or turns as possible for more efficient air flow.
- d. Collar size may need to be increased if utilizing a long duct run.
- e. At least 12" of vertical duct is required before any turn.
- f. Do not try to install this unit by yourself, **SERIOUS INJURY MAY OCCUR.**
- g. At least two people are needed for installation.
- h. Hiring a certified installer and electrician is recommended.
- i. Cold weather installation will require make-up air or a CFM reducer.
Check with your local building codes for more detail.

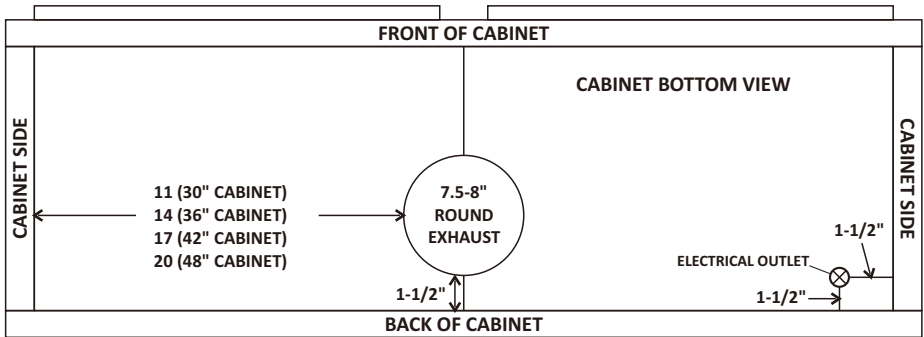
2. LOCATION

- a. Determine the exact location you want to install the range hood.
- b. Distance between cooktop and range hood should be between 27"-33".
- c. Range hood should be mounted at stated measurements to ensure performance and lifespan of electrical components.
- d. Correctly measure the dimension needed to install the unit.

Use Fig. 1a on page 5 for unit measurements

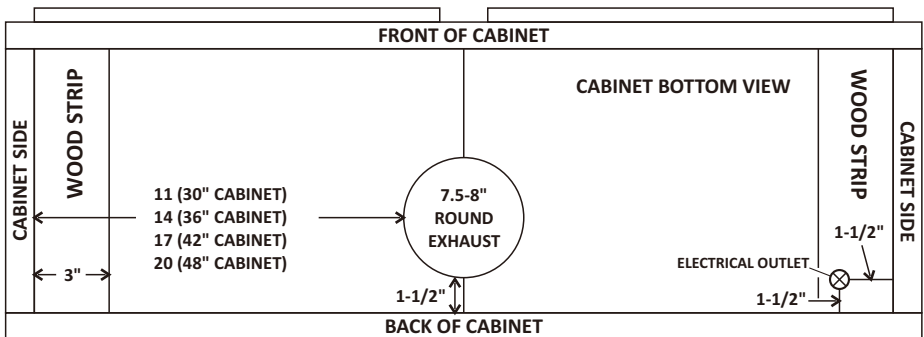
Use Fig. 1b on page 5 for general measurements

Fig. 1c - Cabinet



- e. For cabinet with recessed-bottom, use (2) 3" x 12" or 15" wood strips on both sides to balance the recession. Use (4) 1-1/4" long flat head screws to secure the wood strips to cabinet. (Fig. 1d)

Fig. 1d - Cabinet w/ recessed-bottom



3. HOOD

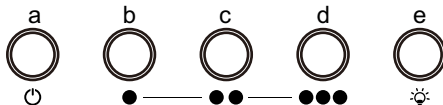
- a. Inspect for any sign of defect or damage. (ie. scratches, dents, loose seams, etc.)
- b. Power up the unit to make sure it is working properly.
- c. Remove the baffle filters and unscrew the fillers.
- d. Remove the protective file on the baffle filters and fillers.
- e. Install baffle handles to filters using a Philips screwdriver.

INSTALLATION**UNDER CABINET INSTALLATION (Top round outlet)**

- a. Make sure all preparation steps are completed.
- b. Feed the wires coming out of the hood through the bottom of the cabinet.
- c. Lift the unit up flush against the wall and the bottom of the cabinet.
- d. Using the screws and washers provided, insert into each of the keyhole openings and tightly secure the unit against the bottom of the cabinet.

NOTE: Install more screws through the back of the unit if necessary.

- e. Connect 7" ducting to the collar of the hood.
- f. Finish off by sealing the connection point with aluminum tape.

OPERATION & FEATURES**1. CONTROL SWITCH LAYOUT (from left to right)**

- a. Button 1 – Power ON / OFF
- b. Button 2 – Low speed
- c. Button 3 – Medium speed
- d. Button 4 – High speed
- e. Button 5 – Lights ON / OFF

Activate delay shut-off: Press "Button 1" once to activate 90 seconds delay shut-off. Light surrounding button will flash and fan will turn off after 90 seconds.

Turn off Fan: Press "Button 1" twice to instantly turn off the fan.

2. FILTERS

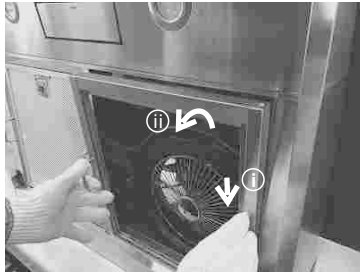
- a. (2) 14-3/8" x 12-3/4" Aluminum filters and (2) fillers (30" model)
- b. (2) 14-3/8" x 12-3/4" Aluminum filters and (2) fillers (36" model)
- c. (3) 14-3/8" x 12-3/4" Aluminum filters and (2) fillers (42" model)
- d. (3) 14-3/8" x 12-3/4" Aluminum filters and (2) fillers (48" model)

3. REMOVING THE FILTERS

- a. Note: The inner filter can be removed with frame in place.



- b. (i) Compress the back edge of the filter into the back of the hood.
(ii) Front edge of filter is now clear.



- c. (iii) Slide the front edge of the filter out.



- d. Removing Tray: Lift an angle and remove stainless steel oil tray for cleaning.



CLEANING & MAINTENANCE**WARNING!!!**

To prevent the possibility of a fire and explosion, do not use flammable liquids or solvents to clean the unit or any of its parts.



Check to make sure all power sources are disconnected before servicing or taking unit apart for cleaning.



Please thoroughly clean the unit weekly as stainless steel can rust under certain condition or by improper cleaning.

1. RANGE HOOD

- a. Use household cleaner to remove grease or dirt from the outer shell of the unit. Spray on wiping cloth or sponge and wipe in the direction of the grain to avoid scratching the unit. (DO NOT SPRAY DIRECTLY ONTO UNIT)
- b. Clean the inner working of the unit periodically to avoid grease build-up.
- c. Do not open control switch panel while the hood is connected to power.
- d. Use stainless steel cleaner to bring back the shine to the unit.

2. FILTERS*

- a. Remove filters from unit and place in warm soapy water.
- b. Clean the filters regularly for the most efficient suction power.
- c. Do not drop filters or filler/s.
- d. Let it soak thoroughly and then clean it with wiping cloth or sponge.
- e. Filters may also be cleaned using residential dishwasher.

*DO NOT WASH CHARCOAL FILTERS. WILL DISSOLVE IN WATER.

TROUBLESHOOTING

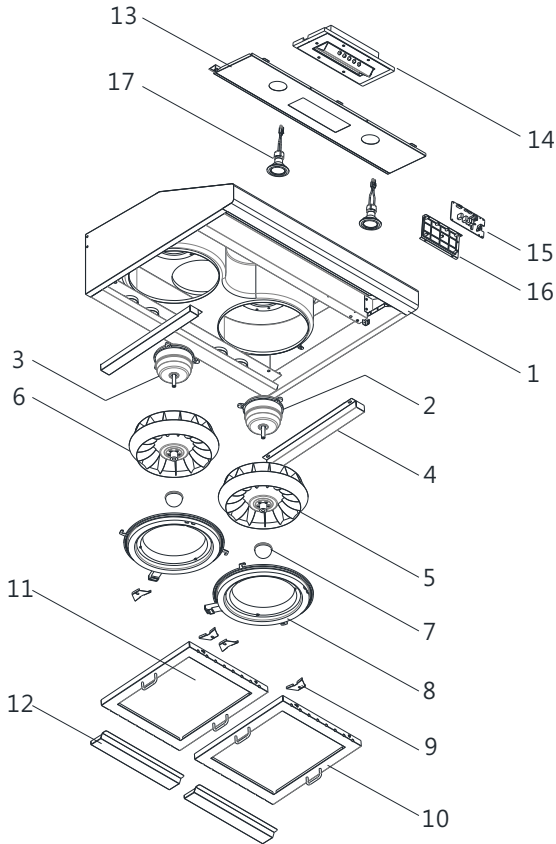
WARNING!!!



Check to make sure all power sources are disconnected before starting any troubleshooting. Safety gloves and glasses should be worn when working on the unit. Serious injury or death may occur if safety precautions are not followed.

WS-32 Series	
Light Issue (One light not turning on)	1. Replace defective fixture with new fixture.
Burnt/melted control switch	1. Complete Control switch replacement is required.
Speed levels not working correctly	1. Complete Control switch replacement is required.
Unit lacking smoke intake	1. Make sure a reducer has not been installed.
Unit showing no power indication	1. Make sure the power source is working properly. 2. All wiring is connected.
Unit making humming noise	1. Replace defective capacitor.

PART LIST / REPLACEMENT



#	Description	#	Description
1	Hood body assembly	10	Filter frame
2	Right Motor	11	Aluminum filter
3	Left Motor	12	Stainless steel oil tray
4	Stainless steel filler	13	Electronic cover
5	Right Fan	14	Control switch mount
6	Left Fan	15	Main board
7	Fan Cover	16	Main board bracket
8	Oil Tunnel	17	Light set (GU10)
9	Oil Tunnel Mount		

WARRANTY / CONTACT US

LIMITED WARRANTY

Windster Hoods Inc. warrants its product against defects in material or workmanship as follows:

Labor: For a period of one (1) year from the date of purchase, if the product is determined to be defective, Windster will attempt to repair the product, at its option, at no charge. After the warranty period, customer must pay for all labor charges. During the "labor" warranty period there will be no charge for any work done on the purchased model. (All labor repairs are limited only to the installation of electrical components.)

Parts: In addition, Windster will supply, at no charge, new or rebuilt replacements in exchange for defective parts for a period of two (2) years. After the warranty period, you must pay for all parts costs. During the "parts" warranty period, there will be no charge for parts

You must provide the serial number of your unit for any replacement parts during the warranty period. This warranty applies to products purchased and serviced in the United States only.

For products purchased in Canada, please contact your local retailer where you purchased the unit for service.

* Windster Hoods, Inc. will attempt to repair malfunctioning units prior to shipping a replacement. In the case that a unit cannot be repaired and must be replaced, Windster Hoods, Inc. will not be held liable for removal/installation fees of the malfunctioning/replacement unit.

WHAT IS NOT COVERED BY MANUFACTURE WARRANTY

1. Damages resulting from any of the following:
 - a. Improper installation or maintenance
 - b. Any repair, modification, alteration or adjustment not authorized by the manufacturer or an authorized service dealer
 - c. Misuse and/or accidents
 - d. Incorrect electric current, voltage or power supply
 - e. Improper setting of any control (Pressing multiple selections at the same time)
 - f. Improper chemical cleaning (commercial or industrial cleaning agents)
2. Products purchased for use in a commercial or industrial setting (such as in a hotel, office, restaurant, or other business)
3. Damage resulting from natural disasters (earthquake, flood, storm, etc.)
4. Aluminum Filters, Baffle Filters, Charcoal Filters, and Oil Cup Filters
5. Light Bulbs

CONTACT US

Windster Hoods, Inc.
Email: Support@windsterhood.com
www.windsterhood.com
©Windster Hoods, Inc.
Information subject to change without notice.

