

# WINDSTER™

[www.windsterhood.com](http://www.windsterhood.com)

## User's Manual

---

**UNDER CABINET SERIES**

**WS-208LF30SS**

**WS-208LF36SS**

**NOTE: This unit does not support ducted operation. For ducted operation, please refer to model WS208L30SS or WS208L36SS**

**For residential and indoor use only**



Please read this operation manual thoroughly before using your range hood. Store it in a safe location for when you need to reference it in the future.

## *Table of Contents*

<i>Safety Information</i> .....	2 - 3
<i>Content Checklist</i> .....	4
<i>Measurements</i> .....	5
<i>Preparation</i> .....	6 - 7
<i>Installation</i> .....	8
<i>Operation &amp; Features</i> .....	9
<i>Cleaning &amp; Maintenance</i> .....	10
<i>Troubleshooting</i> .....	11
<i>Part List / Replacement Parts</i> .....	12
<i>Warranty / Contact Us</i> .....	13 - 14

## **SAFETY INFORMATION**



### **TO REDUCE THE RISK OF A FIRE, ELECTRICAL SHOCK, AND/OR INJURY OBSERVE THE FOLLOWING:**

- Unit is intended for indoor residential use only. If you should have questions, contact the manufacturer at the address or telephone number listed in the warranty.
- In case the unit should need to be cleaned or repaired, switch power off at either breaker or by disconnecting the power cord from the outlet.
- Installation work and electrical wiring must be done by a qualified technician in accordance with all applicable codes and standards, including fire-rated construction.
- Sufficient air is needed for proper combustion and exhausting of gases through the flue (chimney) of fuel burning equipment to prevent back drafting. Follow the heating equipment manufacturer's guideline and safety standards such as those published by the National Fire Protection Association (NFPA), and the American Society of Heating, Refrigeration and Air Conditioning Engineers (ASHRAE), and the local code authorities.
- Because the unit is made of stainless steel, it may contain sharp edges. Be careful to avoid cuts and abrasions by wearing protective gloves during installation and cleaning.
- Before you begin to cut or drill into the wall, verify that there is no electrical wiring or any other hidden electrical components.
- Ducted fans must always be vented to the outdoors.
- Use metal ductwork when possible.
- Do not use this fan with any solid-state speed control device and/or in-line motor.
- The unit must be properly grounded before beginning operation.



## **TO REDUCE THE RISK OF A RANGE TOP GREASE FIRE:**

- Regardless of heat level, never leave any surface materials unattended while operating an open flame.
- Always turn hood ON when cooking at high heat or when flambéing food (i.e. Crepes Suzette, Cherries Jubilee, Peppercorn Beef Flambé).
- Depending on amount of usage, clean ventilating fans and filters frequently. Grease should not be allowed to accumulate on fan or filter. For instructions on the how to clean, see maintenance page.



## **TO REDUCE THE RISK OF INJURY TO PERSONS IN THE EVENT OF A RANGE TOP GREASE FIRE, OBSERVE THE FOLLOWING:**

- SMOTHER FLAMES with a close-fitting lid, cookie sheet, or metal tray, then turn off the burner. BE CAREFUL TO PREVENT BURNS. If the flames do not go out immediately, EVACUATE AND CALL 911.
  - NEVER PICK UP A FLAMING PAN — Doing so may result in serious burns and possibly spread the fire.
  - DO NOT USE WATER – Grease fire must be extinguished before further action may be taken. Using water will agitate the grease and may cause a violent steam explosion.
  - Use a Fire Extinguisher ONLY if:
    - ❖ You have a Class ABC extinguisher, and you already know how to operate it.
    - ❖ The fire is small and contained in the area where it started.
    - ❖ The fire department is being called.
    - ❖ You are able to safely control the fire with your back to an open exit. \*
- Based on “Kitchen Fire safety Tips” published by NFPA.

# CONTENT CHECKLIST

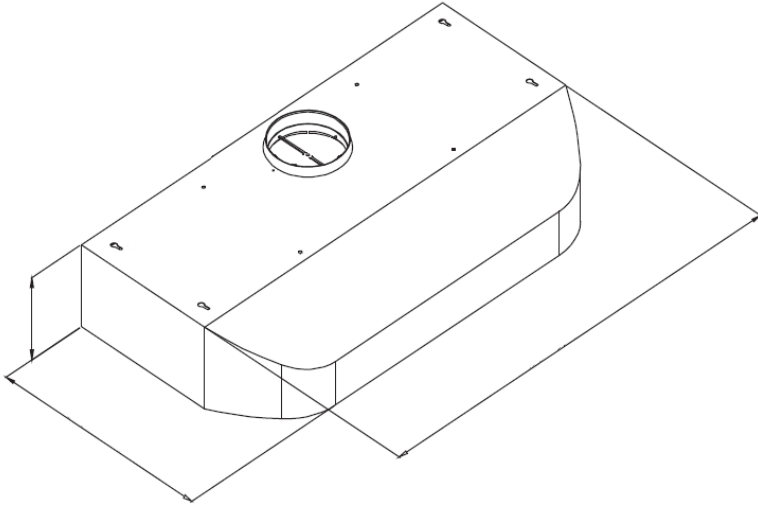
## CONTENT CHECKLIST

### 1. CONTENTS INCLUDED

- a. (1) WS208LF (30" or 36") hood assembly
  - i. (2) Internal turbine blowers
  - ii. (1) Control switch
- b. (1) User's manual
- c. (2) Charcoal filters & (1) stainless steel filler (30" model only)
- d. (3) Charcoal filters (36" model only)
- e. (1) Screw packet

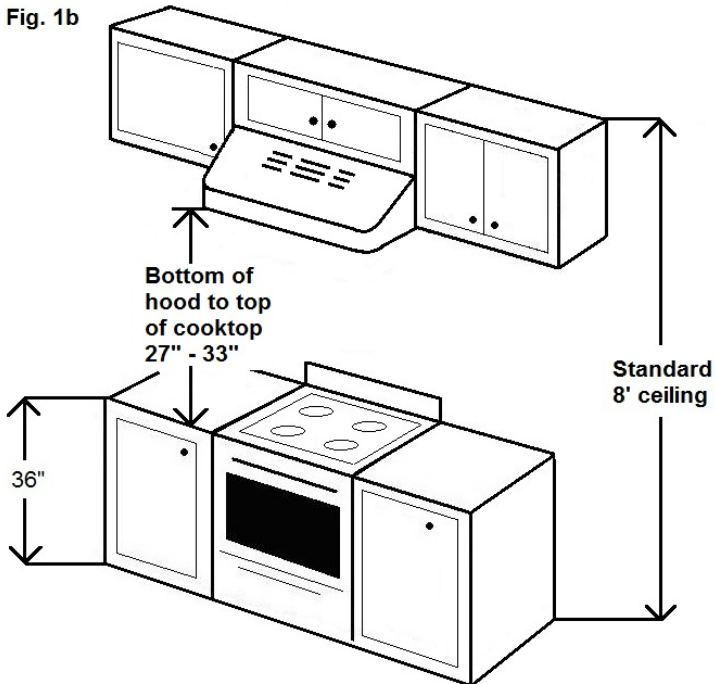
### 2. TOOLS REQUIRED (NOT INCLUDED)

- a. Safety gloves
- b. Safety glasses
- c. Electric drill w/ starter bit
- d. Utility knife
- e. Philips screwdriver
- f. Spirit level
- g. Measuring tape
- h. Writing instrument (pen, marker, pencil)
- i. Aluminum tape



**NEED DIMENSION FOR ABOVE PICTURE**

Fig. 1b



# 6 PREPARATION

## PREPARATION

### 1. BEFORE YOU START

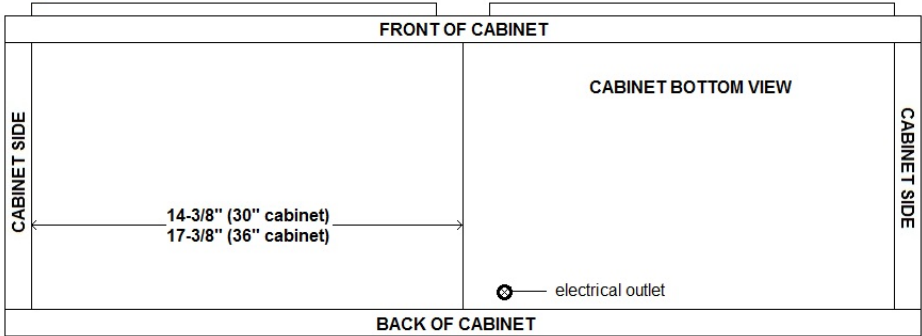
- a. Be sure you have all the content of your purchase and required tools for this installation.
- b. Installation may take at least 1 to 2 hours from start to finish.
- c. Plan to use as few elbows or turns as possible for more efficient air flow. (DUCTED MODEL ONLY)
- d. Collar size may need to be increased if utilizing a long duct run.
- e. At least 12" of duct is required before using an elbow or making a turn. (DUCTED MODEL ONLY)
- f. Do not try to install this unit by yourself, SERIOUS INJURY MAY OCCUR.
- g. At least two people are needed for installation.
- h. Hire a qualified installer and electrician for this installation.
- i. Cold weather installation will require make-up air or a CFM reducer. Check with your local building codes for more detail. (DUCTED MODEL ONLY)

### 2. LOCATION

- a. Determine the exact location you want to install the range hood.
- b. Distance between cooktop and range hood should be between 27"-33".
- c. Range hood should be mounted at stated measurements to ensure performance and lifespan of electrical components.
- d. Use (diagram 1a & 1b) as measurement reference.

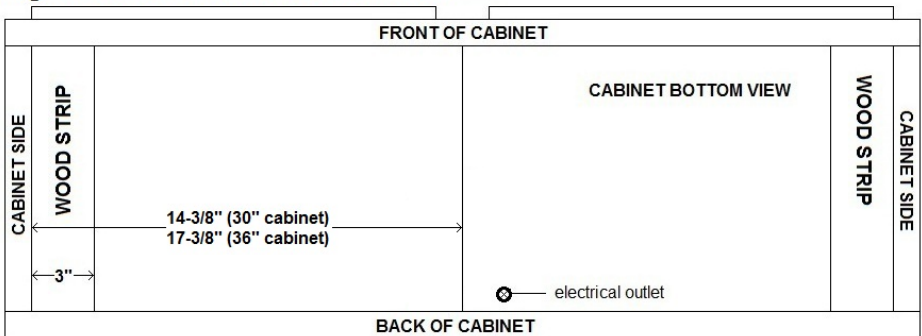
**\*\*\*Diagram 1a (hood measurement from TOP VIEW) \*\*\***

**Fig. 1c - Cabinet**



- e. For cabinet with recessed-bottom, use (2) 3" x 12" or 15" wood strips on both sides to balance the recession. Use (4) 1-1/4" long flat head screws to secure the wood strips to cabinet. (Fig. 1c)

**Fig. 1d - Cabinet w/ recessed-bottom**



## 3. HOOD

- a. Inspect for any sign of defect or damage. (ie. scratches, dents, loose seams, etc.)
- b. Power up the unit to make sure it is working properly.
- c. Remove (2) charcoal filters and (1) stainless steel filler. (30" model only)
- d. Remove the protective file on the stainless steel filler.
- e. Remove (3) charcoal filters. (36" model only)

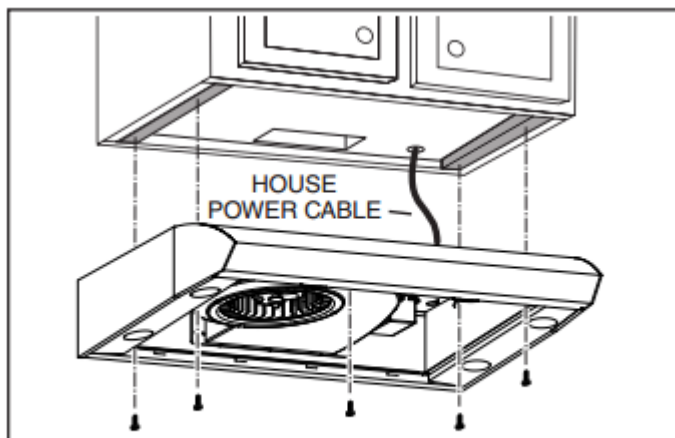


# 8 INSTALLATION

## INSTALLATION

### 1. DUCTLESS INSTALLATION

- a. Make sure all preparation steps are completed.
- b. Feed the wires coming out of the hood through the bottom of the cabinet.
- c. Lift the unit up flush against the wall and the bottom of the cabinet.
- d. Using the screws and washers provided, insert into each of the 4 keyhole openings (2 on each side) and tightly secure the unit against the bottom of the cabinet. NOTE: Install more screws through the back of the unit if necessary.



**DO NOT COPY**

- e. Connect a 6" or 7" ducting to the collar of the hood. (DUCTED MODEL ONLY)
- f. Seal the connection points with aluminum tape. (DUCTED MODEL ONLY)

## OPERATION & FEATURES

### 1. EASY ACCESS CONTROL SWITCH

- a. Button 1 – ON/OFF
- b. Button 2 – Low speed
- c. Button 3 – Medium speed
- d. Button 4 – High speed
- e. Button 5 – Lights ON/OFF

### 2. FAN SPEED

- a. Button 2 Low speed – **200** CFM / \_\_\_ Sones
- b. Button 3 Medium speed – **410** CFM / \_\_\_ Sones
- c. Button 4 High speed – 400 CFM / **4.8** Sones

### 3. LED LIGHTING

- a. (2) 65 lm/w each
- b. Color – Yellow

### 4. CHARCOAL FILTERS

- a. (2) 10-5/8" x 11-1/8" charcoal filters (30" model only)
- b. (1) 6-3/4" x 11-1/8" stainless steel filler (30" model only)
- c. (3) 10-5/8" x 11-1/8" charcoal filters (36" model only)



### **DO NOT WASH CHARCOAL FILTER WITH WATER OR PUT CHARCOAL FILTER IN DISHWASHER**

- a. Remove charcoal filters from unit and wipe the edges with soapy water.
- b. Clean the charcoal filters regularly for the most efficient suction power.
- c. Do not drop charcoal filters or filler.

## CLEANING & MAINTENANCE

### **WARNING!!!**



To prevent the possibility of a fire and explosion, do not use flammable liquids or solvents to clean the unit or any of its parts.



Check to make sure all power sources are disconnected before servicing or taking unit apart for cleaning.

### **1. RANGE HOOD**

- a. Use household cleaner to remove grease or dirt from the outer shell of the unit. Spray on wiping cloth or sponge and wipe in the direction of the grain to avoid scratching the unit. (DO NOT SPRAY DIRECTLY ONTO UNIT)
- b. Clean the inner working of the unit periodically to avoid grease build-up.
- c. Do not open control switch panel while the hood is connected to power.
- d. Use stainless steel cleaner to bring back the shine to the unit.

### **2. CHARCOAL FILTERS**



**DO NOT WASH CHARCOAL FILTER WITH WATER OR PUT CHARCOAL FILTER IN DISHWASHER**

- a. Remove charcoal filters from unit and wipe the edges with soapy water.
- b. Clean the charcoal filters regularly for the most efficient suction power.
- c. Do not drop charcoal filters or filler.

## TROUBLESHOOTING

### WARNING!!!

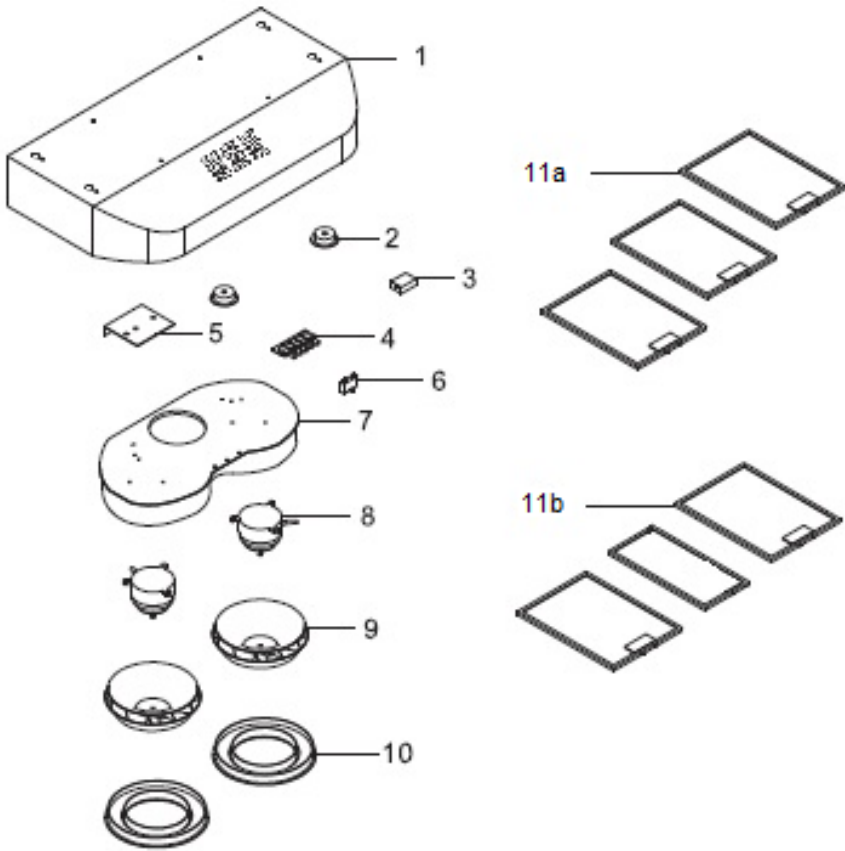


Check to make sure all power sources are disconnected before starting any troubleshooting. Safety gloves and glasses should be worn when working on the unit. Serious injury or death may occur if safety precautions are not followed.

<b>WS208L/LF Series</b>	
Light Issue (Both not turning on)	New Transformer replacement is required
Light Issue (One light not turning on)	Replace old defective Light fixture with New Light fixture
Light/Speed buttons not staying down	Complete Control switch replacement is required
Unit Lacking Smoke intake	Check that Contractor has NOT installed a reducer, also check that air duct has not clogged the air flow through its escape tunnel
Unit Showing no power indication	Make Sure that in-home Power Outlet that it is working properly and all wiring is done correctly
Unit making humming noise	Replace defective capacitor with new one

# 12 PART LIST / REPLACEMENT PARTS

## PART LIST / REPLACEMENT PARTS



#	Description	#	Description
1	Hood body	7	Air chamber
2	LED light	8	Motor
3	LED transformer	9	Teflon fan impeller
4	Control switch	10	Oil funnel
5	Inner bracket	11a	(3) Charcoal filters
6	Capacitor	11b	(2) Charcoal filters / (1) filler

## WARRANTY / CONTACT US

### LIMITED WARRANTY

Windster Hoods Inc. warrants its product against defects in material or workmanship as follows:

**Labor:** For a period of one (1) year from the date of purchase, if the product is determined to be defective, Windster will repair or replace the product, at its option, at no charge. After the warranty period, customer must pay for all labor charges. During the "labor" warranty period there will be no charge for any work done on the purchased model. (All labor repairs are limited only to the installation of electrical components.)

**Parts:** In addition, Windster will supply, at no charge, new or rebuilt replacements in exchange for defective parts for a period of two (2) years. After the warranty period, you must pay for all parts costs. During the "parts" warranty period, there will be no charge for parts

You must carry-in or mail-in your product during the warranty period. This warranty only applies to products purchased and serviced in the United States or Canada.

\*\* All parts and labor warranty will only apply to U.S. residents in the lower 48 states.

\*\* Windster Hoods, Inc. will attempt to repair malfunctioning units prior to shipping a replacement. In the case that a unit cannot be repaired and must be replaced, Windster Hoods, Inc. will not be held liable for removal/installation fees of the malfunctioning/replacement unit.

# WARRANTY / CONTACT US

## WHAT IS NOT COVERED BY MANUFACTURE WARRANTY

1. Damages resulting from any of the following:
  - a. Improper installation or maintenance
  - b. Any repair, modification, alteration or adjustment not authorized by the manufacturer or an authorized service dealer
  - c. Misuse and/or accidents
  - d. Incorrect electric current, voltage or power supply
  - e. Improper setting of any control (Pressing multiple selections at the same time)
  - f. Improper chemical cleaning (commercial or industrial cleaning agents)
2. Products purchased for use in a commercial or industrial setting (such as in a hotel, office, restaurant, or other business)
3. Damage resulting from natural disasters (earthquake, flood, storm, etc.)
4. Aluminum Filters, Baffle Filters, Charcoal Filters, and Oil Cup Filters
5. Light Bulbs

## CONTACT US

Windster Hoods, Inc.

Toll Free: (877) 350 – 5215

[www.windsterhood.com](http://www.windsterhood.com)

Information subject to change without notice